

ELEVATION

1:10

NOTES

THIS GRATE IS ONLY TO BE INSTALLED WHERE APPROVED OR DIRECTED BY COUNCILS ENGINEER

ALL GRILLE STEEL TO BE GRADE 250 STRUCTURAL STEEL TO AS 3678 AND AS 3679

ALL WELDS TO COMPLY WITH AS 1554, WELDING SYMBOLS TO AS 1101.3

GRILLE & HANDLE TO BE HOT DIP GALVANISED TO AS 1650 AFTER FABRICATION

GRILLE TO BE HINGED AT THE SIDE & PADLOCKED AT THE OPPOSITE SIDE USING LOCK TO BE SUPPLIED BY COUNCIL

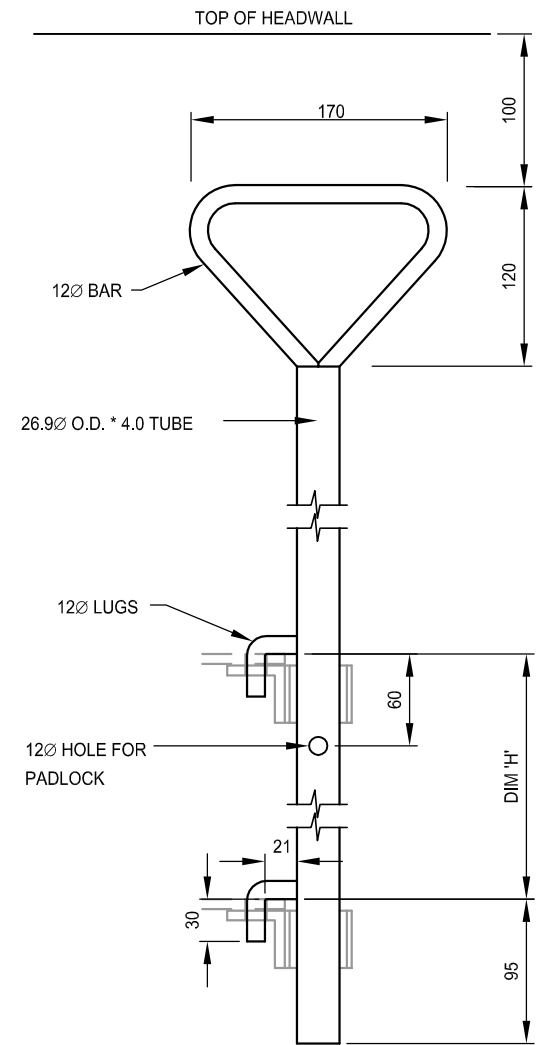
ALL DIMENSIONS ARE mm UNLESS NOTED OTHERWISE

ALL BOLTS TO COMPLY WITH AS 1111

ALL NUTS TO COMPLY WITH AS 1112

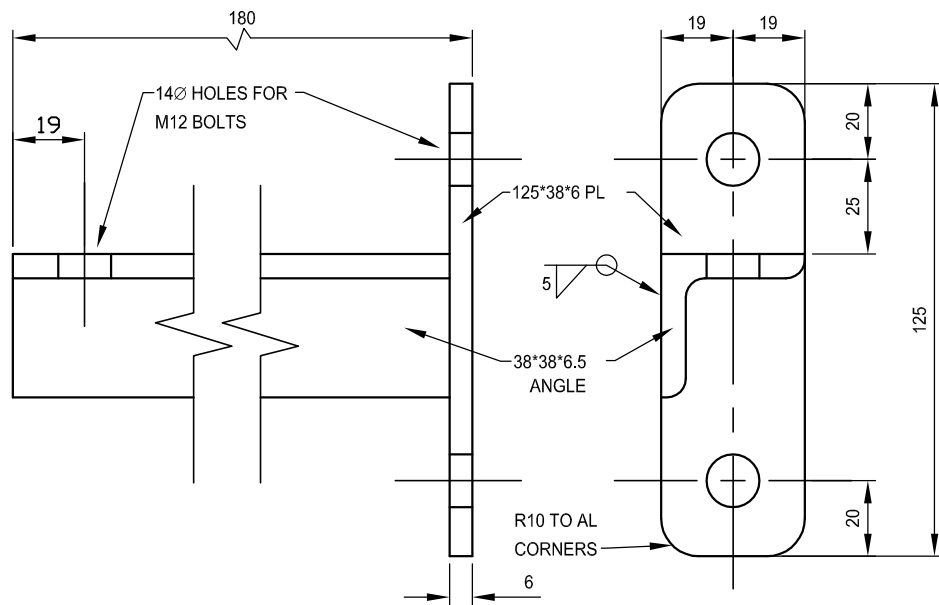
ALL WASHERS TO COMPLY WITH AS 1237

ALL BOLTS, NUTS & WASHERS TO BE GALVANISED TO AS 1214



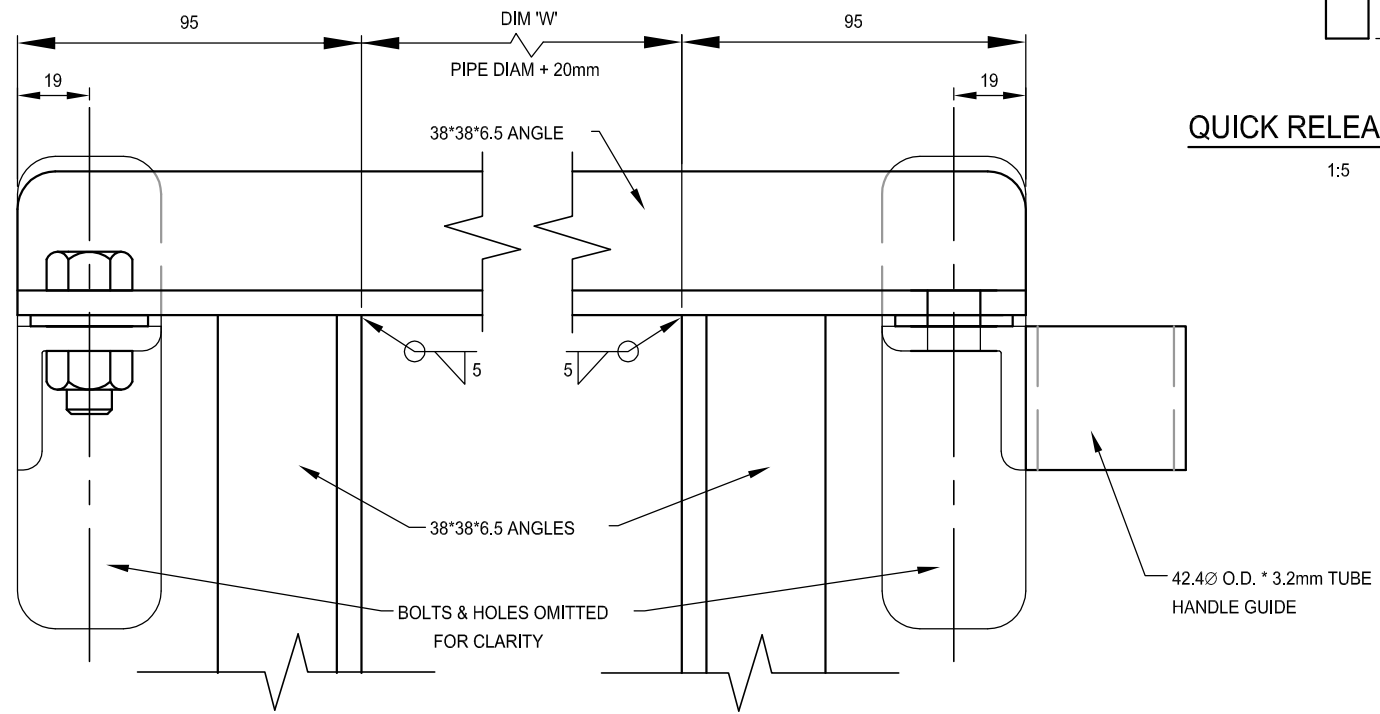
QUICK RELEASE HANDLE

1:5



MOUNTING BRACKET (4 OFF)

1:2



DETAIL 'A'

1:2

DETAIL 'B'

1:2

STANDARD DRAWINGS

**NORTHERN RIVERS
LOCAL GOVERNMENT**

SECURITY GRATE
FOR STORMWATER OUTLETS

STORMWATER
STANDARD
DRAWING

SW-04

A	ORIGINAL ISSUE		7/7/10
	REVISIONS	APP'D	DATE

A