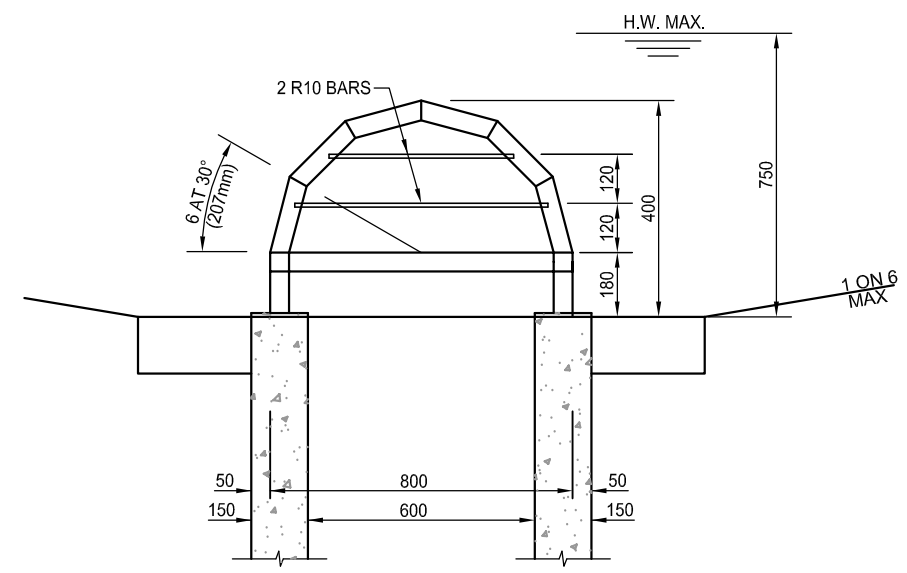
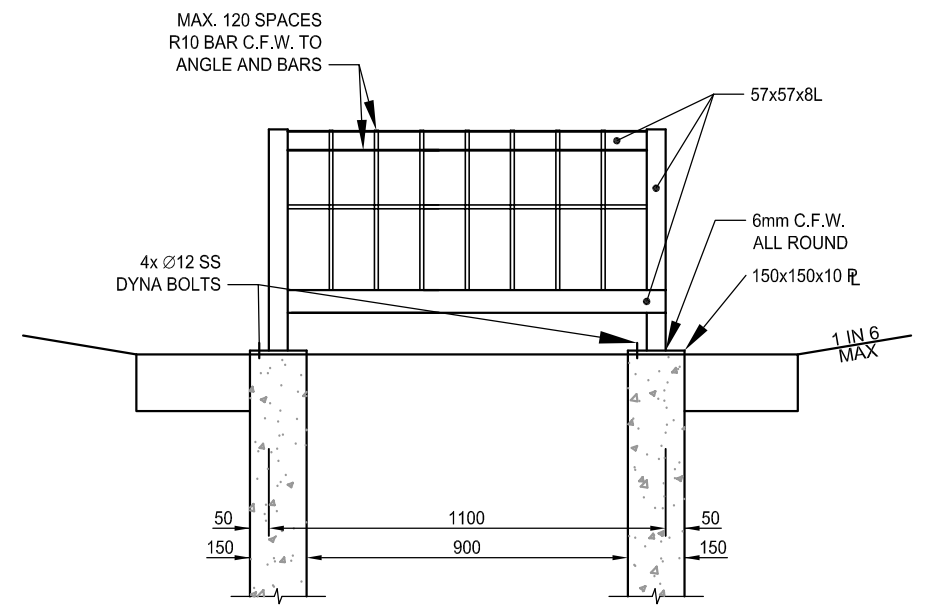


END ELEVATION



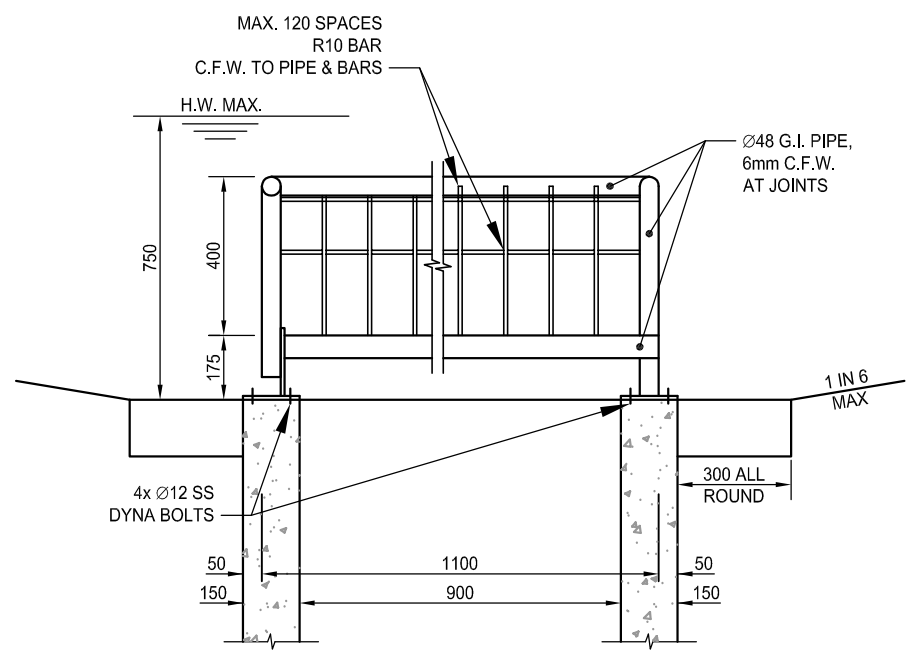
END ELEVATION



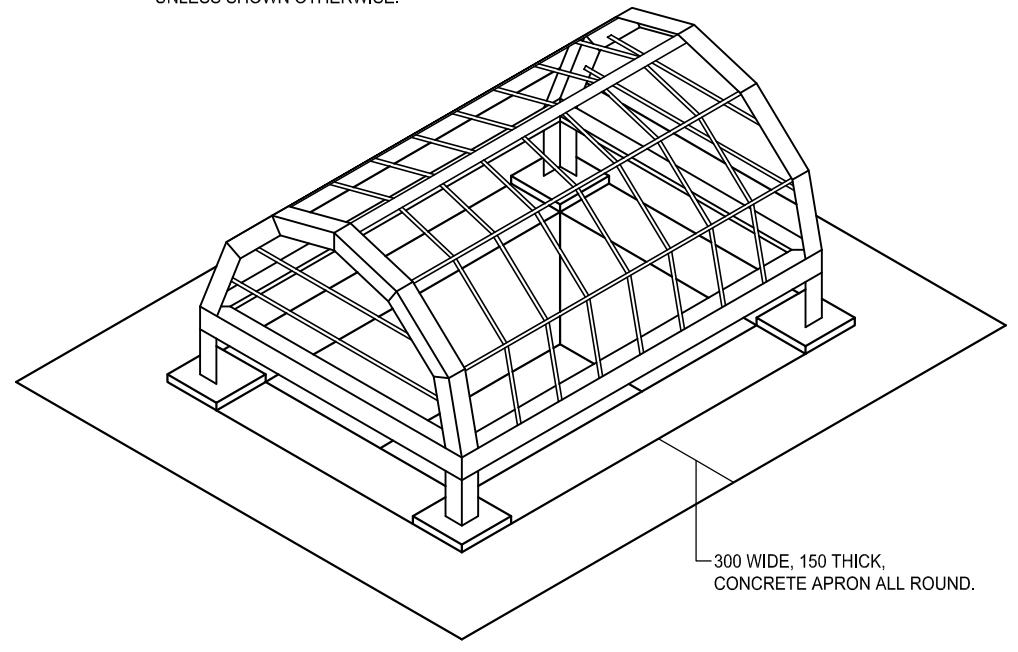
ELEVATION

NOTES:

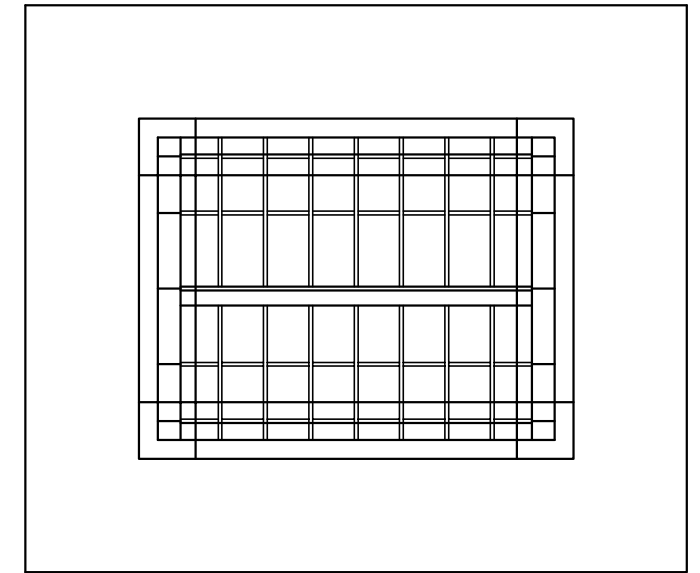
1. CONCRETE TO BE GRADE N32 TO AS3600.
2. GRATE & HINGES TO BE HOT DIPPED GALVANISED AFTER FABRICATION.
3. THE ISOMETRIC VIEW IS SIMILAR IN TYPE 1 & TYPE 2.
4. PIPE INVERT LEVELS AS PER DRAINAGE DETAILS.
5. DIMENSIONS ARE IN MILLIMETRES UNLESS SHOWN OTHERWISE.



HALF ELEVATION
TYPE 1 - PIPE CONSTRUCTION



ISOMETRIC VIEW



PLAN
TYPE 2 - ANGLE CONSTRUCTION

A	ORIGINAL ISSUE		7/7/10
	REVISIONS	APP'D	DATE

STANDARD DRAWINGS

NORTHERN RIVERS LOCAL GOVERNMENT

FIELD INLET PIT DOME TOP COVER

STORMWATER
STANDARD
DRAWING
SW-03