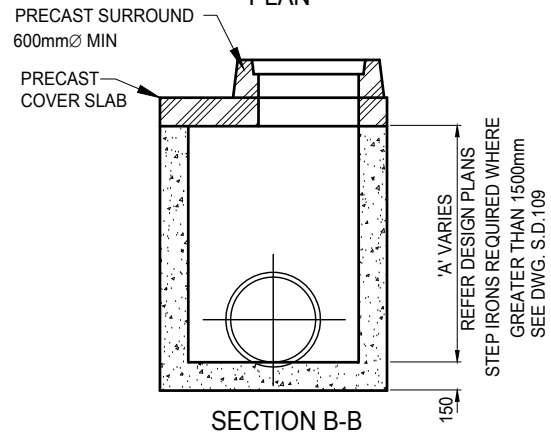
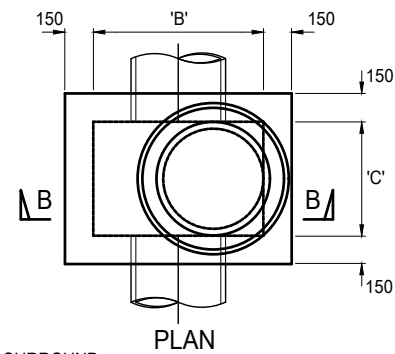


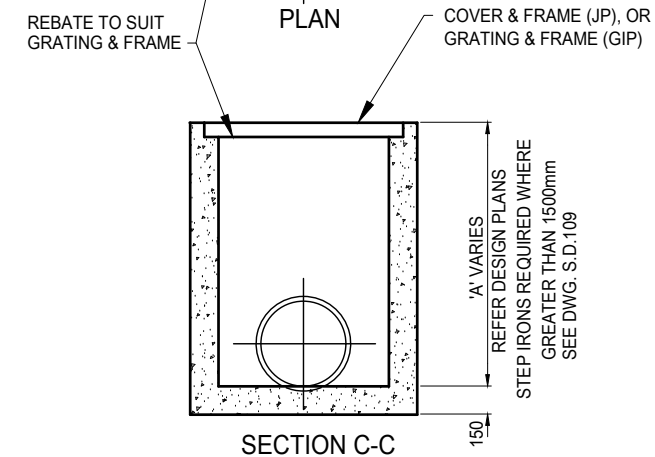
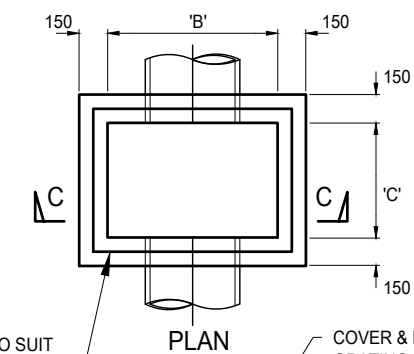
CIRCULAR STORMWATER MANHOLE

NTS



RECTANGULAR STORMWATER MANHOLE

NTS



JUNCTION PIT(JP)/GRATED INLET PIT(GIP)

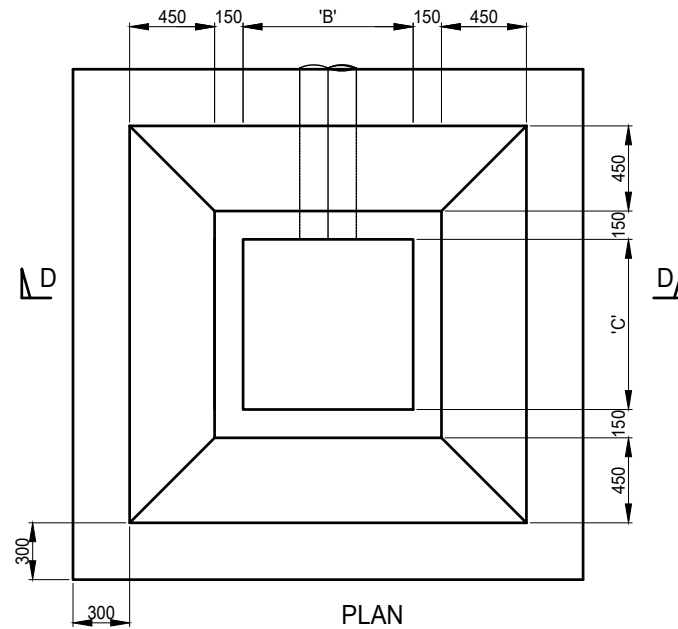
NTS

MINIMUM PIT DIMENSIONS

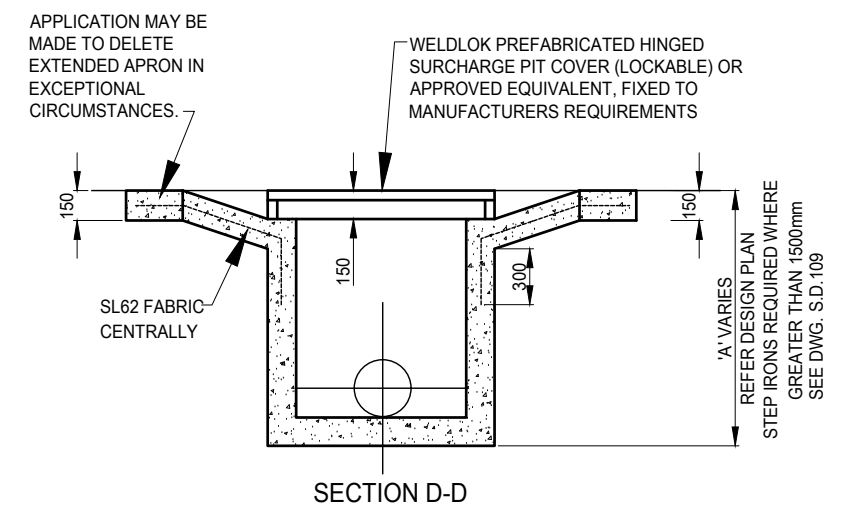
DEPTH to invert mm	MINIMUM INTERNAL SIZE mm		
	RECTANGULAR		CIRCULAR
	Width mm	Length mm	Diam mm
D ≤ 600	450	450	600
600 < D ≤ 900	600	600	900
900 < D ≤ 1200	600	900	1050
D > 1200	900	900	1050

NOTES

- FOR DIMENSIONS 'A', 'B' & 'C', PIPE SIZE & CONFIGURATION & INVERT LEVELS, REFER TO DESIGN PLANS.
- CLASS OF LID/COVER/GRATE TO BE IN ACCORDANCE WITH AS3996, EXCEPT THAT CLASS 'A' COVERS WILL NOT BE ACCEPTED
- CONCRETE GRADE TO BE N32 TO AS3600
- SIDE WALLS OF PITS DEEPER THAN 1500 TO BE REINFORCED WITH ONE LAYER OF SL82 PLACED CENTRALLY AND RETURNED 300 INTO PIT BASE.
- CAST INSITU PIT DEPTH IS NOT TO EXCEED 3500.



GRATING NOT SHOWN FOR CLARITY



FIELD INLET PIT- FLUSH COVER

NTS

STANDARD DRAWINGS

NORTHERN RIVERS LOCAL GOVERNMENT

MANHOLES, FIELD INLET PITS & GRATED INLET/ JUNCTION PIT DETAILS

STORMWATER STANDARD DRAWING **SW-02**

REVISIONS	APP'D	DATE
B AMENDMENTS TO PIT DIMENSIONS	MPK	08/03/18
A ORIGINAL ISSUE		7/7/10

A	B		
---	---	--	--