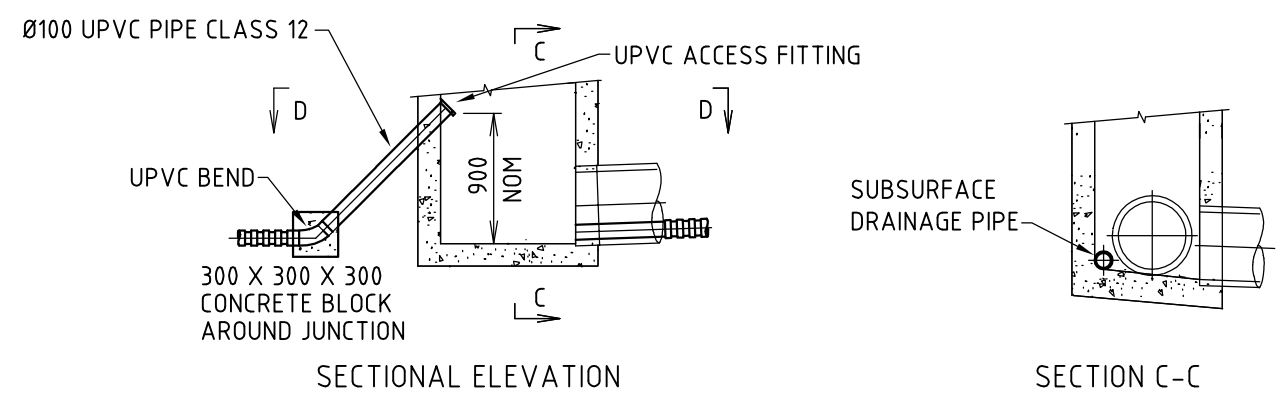
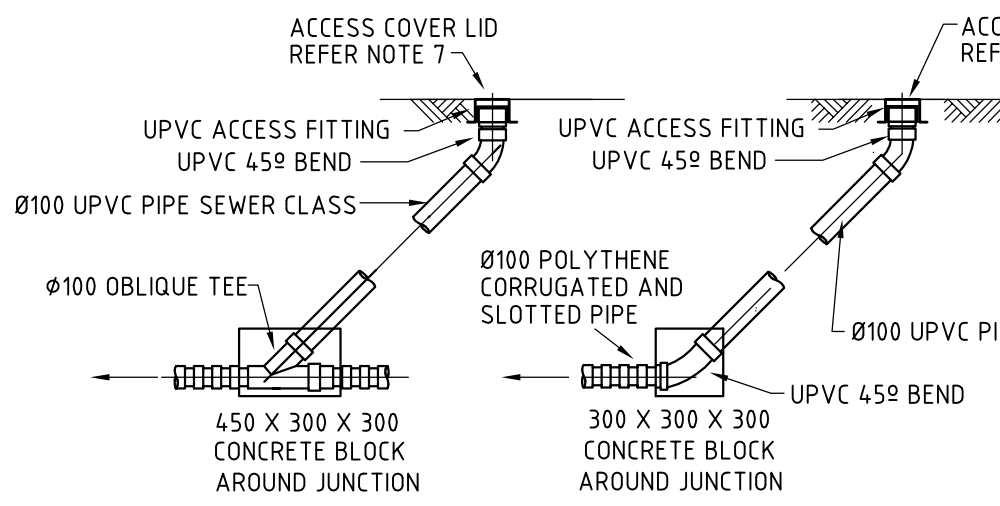


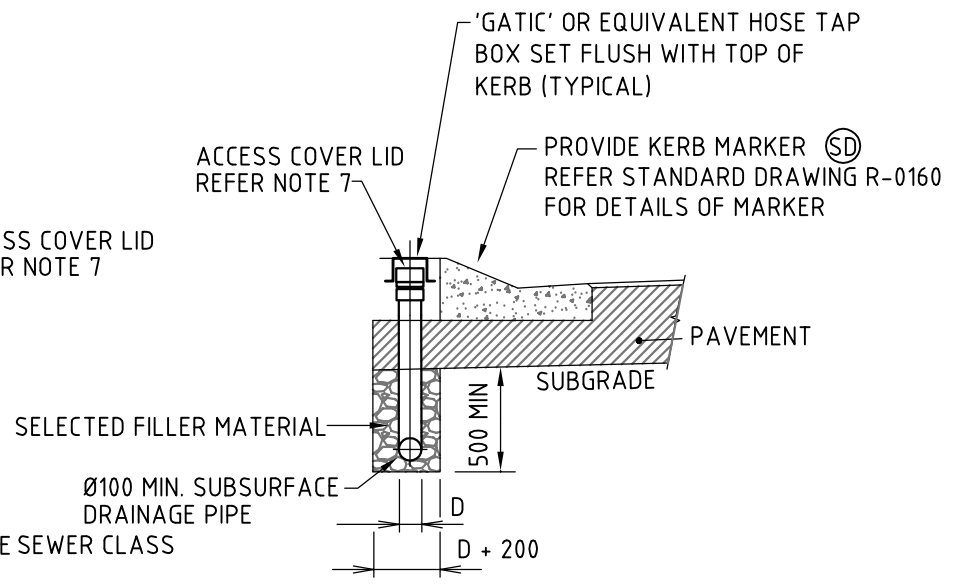
TYPICAL MITRE DRAIN LOCATIONS



TYPICAL PIT DETAILS



SUBSURFACE DRAIN CLEANOUT POINTS



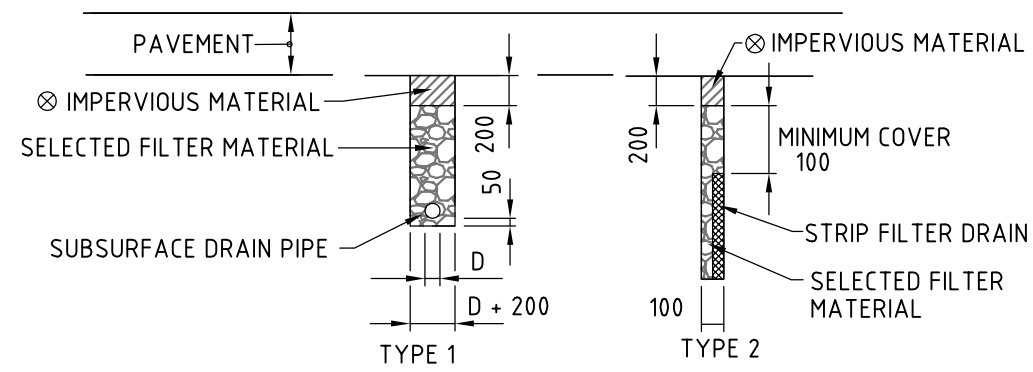
SUBSURFACE PAVEMENT DRAIN

REFER PROJECT DRAWINGS OR SPECIFICATION FOR LOCATION TO BE ADOPTED

FILTER ON SLOTTED PIPE

A.S. SIEVE SIZE	% BY WT. PASS 'G
9.50 MM	100
4.75 MM	90 - 100
1.18 MM	45 - 80
300 µM	10 - 30
150 µM	0 - 10
75 µM	0 - 1

FILTER MATERIAL GRADING
UNLESS OTHERWISE SPECIFIED



STANDARD SUBSURFACE DRAIN

LEGEND
⊗ REFER NOTE 5

NOTES:

1. ALL SUBSURFACE DRAINS, POLYETHYLENE CORRUGATED SLOTTED PIPE TO AS 2439.1, INVERT LEVEL UNLESS DETAILED OTHERWISE. 0.5% MIN GRADE.
2. A GEOFABRIC SHALL BE USED TO LINE TRENCHES IN ALL SUBSOIL DRAINS
3. CONCRETE ANCHORS N20 IN ACCORDANCE WITH AS1379 AND AS 3600.
4. 'D' = 100 NOM. UNLESS OTHERWISE SPECIFIED.
5. IMPERVIOUS MATERIAL TO BE PROVIDED WHERE SUBSURFACE DRAINAGE IS NOT UNDER A PAVEMENT. WHEN IMPERVIOUS MATERIAL IS OMITTED THE BACKFILL / SELECTED FILTER MATERIAL SHALL EXTEND TO UNDERSIDE OF PAVEMENT.
6. ALL DIMENSIONS IN MILLIMETRES.
7. FOR LISMORE COUNCIL, ACCESS CAPS SHALL BE BOLTED SCREWED CAPS.
8. CLEANOUT POINTS TO BE PROVIDED AT 80m MAX CENTRES (SEE CLAUSE C231.05)

NOT TO SCALE

		STANDARD DRAWINGS		SUBSURFACE DRAINAGE		ROAD/STREET STANDARD DRAWING	
		NORTHERN RIVERS				R-09	
		LOCAL GOVERNMENT					
B	CLEANOUT POINTS AMENDED TO SEWER CLASS	<i>[Signature]</i>	7/7/10			A	B
A	ORIGINAL ISSUE	<i>[Signature]</i>	3/10/06				
	REVISIONS	APP'D	DATE				