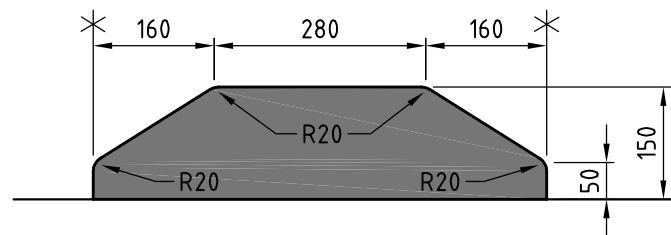
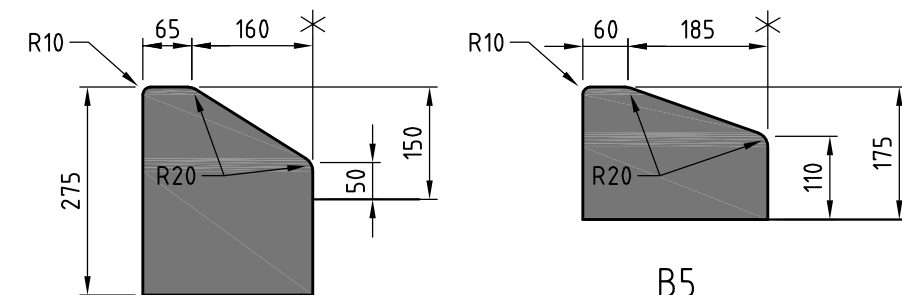


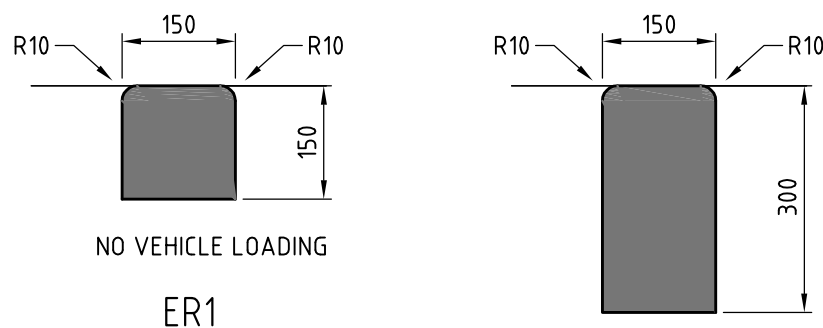
UPRIGHT KERB



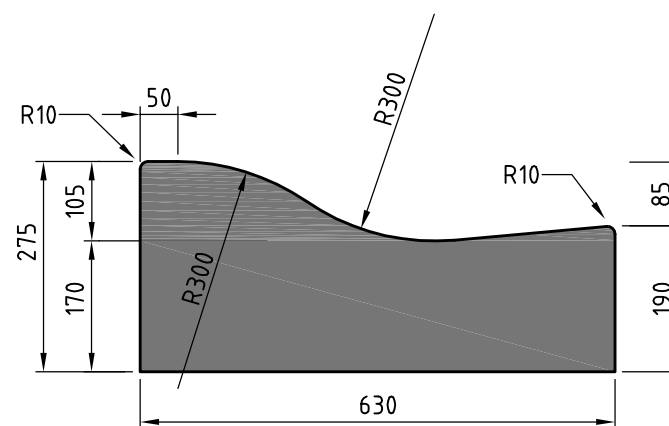
MEDIAN



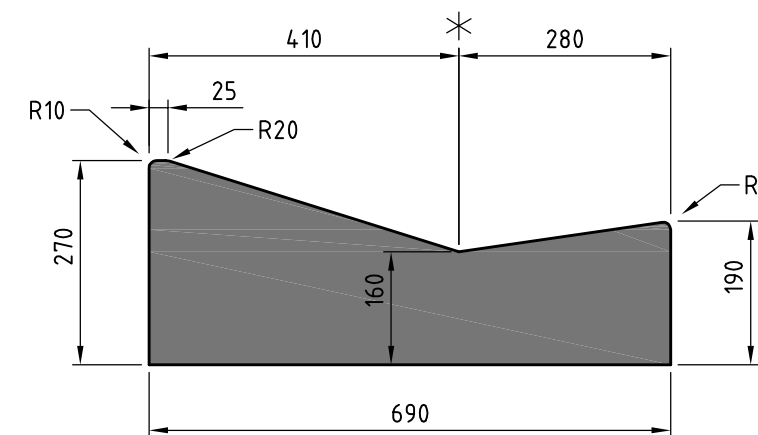
SEMI - MOUNTABLE KERB



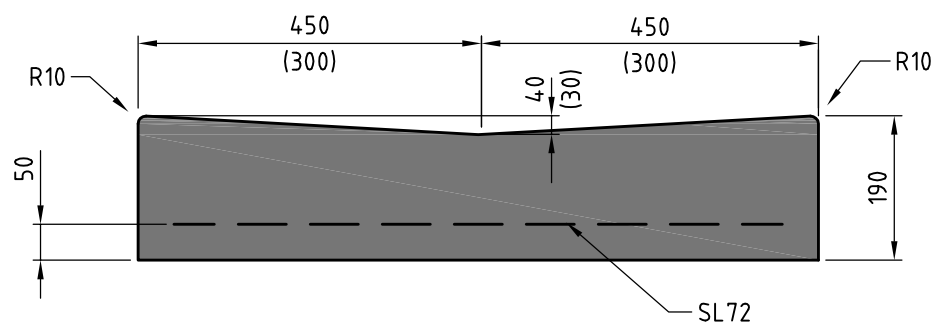
EDGE RESTRAINT



MOUNTABLE / ROLLTOP KERB



MOUNTABLE / LAYBACK KERB



INVERT OR DISH GUTTER

NOTES:

1. ALL MATERIALS AND CONSTRUCTION SHALL COMPLY WITH AS 2876 EXCEPT FOR DIMENSIONS ON THIS DRAWING.
2. ALL CONCRETE N25 MIN (REFER PROJECT DOCUMENTATION) IN ACCORDANCE WITH AS1379 AND AS 3600.
3. REINFORCEMENT BARS TO AS 1302, TRENCH FABRIC TO AS 1304.
4. ALL DIMENSIONS IN MILLIMETRES.

LEGEND

* NOMINAL KERB LINE FOR SETTING OUT.

NOT TO SCALE

B	MOUNTABLE ROLLTOP KERB ADDED	<i>[Signature]</i>	18/2/09
A	ORIGINAL ISSUE	<i>[Signature]</i>	3/10/06
	REVISIONS	APP'D	DATE

STANDARD DRAWINGS

NORTHERN RIVERS LOCAL GOVERNMENT

KERBS AND GUTTERS,
EDGE RESTRAINTS, MEDIAN & INVERT
PROFILES AND DIMENSIONS

ROAD/STREET
STANDARD
DRAWING
R-03

A	B		
---	---	--	--