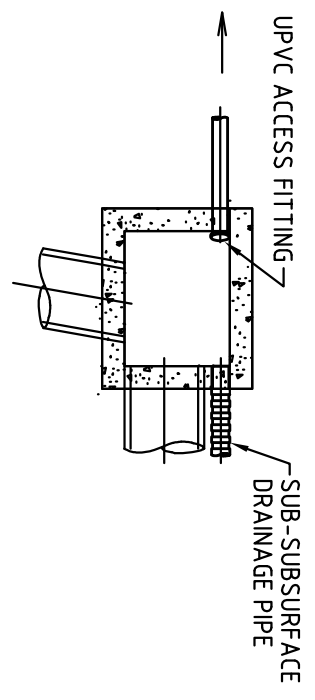


REFER PROJECT DRAWINGS OR SPECIFICATION FOR LOCATION TO BE ADOPTED

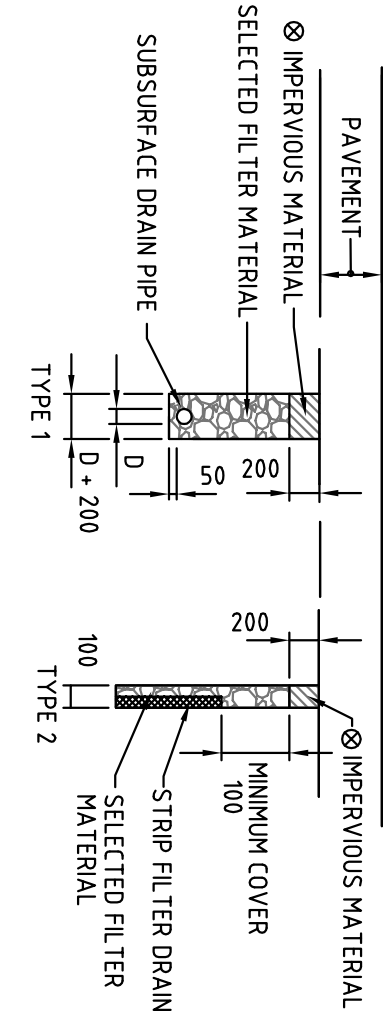
**LEGEND**  
 ⊗ REFER NOTE 5

**TYPICAL PIT DETAILS**



| A.S. SIEVE SIZE | % BY WT. PASS 'G' |
|-----------------|-------------------|
| 9.50 MM         | 100               |
| 4.75 MM         | 90 - 100          |
| 1.18 MM         | 45 - 80           |
| 300 µM          | 10 - 30           |
| 150 µM          | 0 - 10            |
| 75 µM           | 0 - 1             |

**FILTER MATERIAL GRADING**  
 UNLESS OTHERWISE SPECIFIED



**STANDARD SUBSURFACE DRAIN**

**NOTES:**

1. ALL SUBSURFACE DRAINS, POLYETHYLENE CORRUGATED SLOTTED PIPE TO AS 2439.1, INVERT LEVEL UNLESS DETAILED OTHERWISE. 0.5% MIN GRADE.
2. A GEOFABRIC SHALL BE USED TO LINE TRENCHES IN ALL SUBSOIL DRAINS
3. CONCRETE ANCHORS N20 IN ACCORDANCE WITH AS1379 AND AS 3600.
4. 'D' = 100 NOM. UNLESS OTHERWISE SPECIFIED.
5. IMPERVIOUS MATERIAL TO BE PROVIDED WHERE SUBSURFACE DRAINAGE IS NOT UNDER A PAVEMENT. WHEN IMPERVIOUS MATERIAL IS OMITTED THE BACKFILL / SELECTED FILTER MATERIAL SHALL EXTEND TO UNDERSIDE OF PAVEMENT.
6. ALL DIMENSIONS IN MILLIMETRES.
7. FOR LISMORE COUNCIL, ACCESS CAPS SHALL BE BOLTED SCREWED CAPS.
8. CLEANOUT POINTS TO BE PROVIDED AT 80m MAX CENTRES (SEE CLAUSE C231.05)

NOT TO SCALE

| REVISIONS      | APP'D | DATE    |
|----------------|-------|---------|
| A              |       |         |
| ORIGINAL ISSUE |       | 3/10/06 |

STANDARD DRAWINGS  
**NORTHERN RIVERS**  
**LOCAL GOVERNMENT**

SUBSURFACE DRAINAGE  
 ROAD/STREET  
 STANDARD  
 DRAWING  
**R-09**